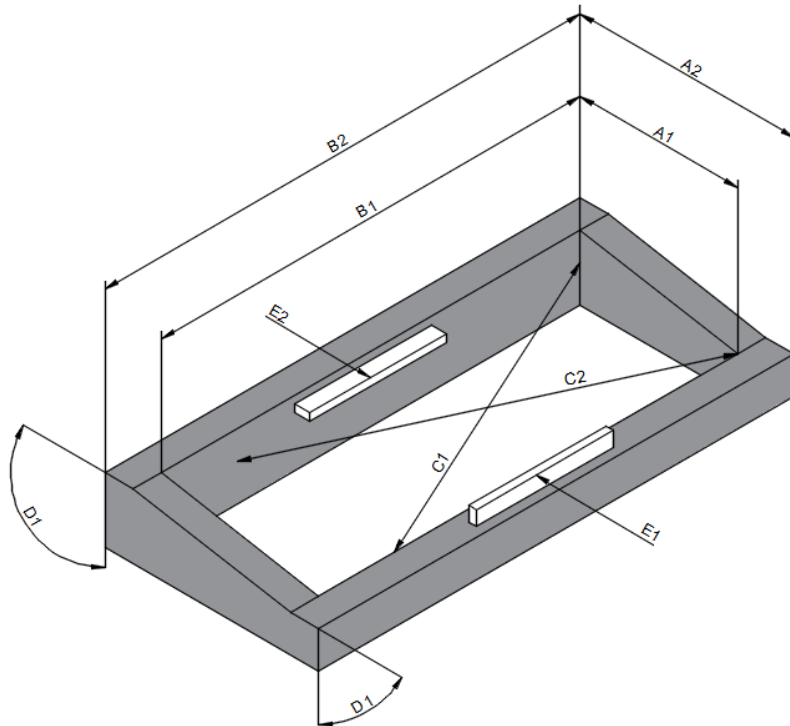


## Building tolerances for the installation of skylights Modular Glass Skylight MS78

BKT05 – Status 09/2023



the upstand must be designed to be load-bearing all around and can safely absorb all vertical loads and horizontal spreading forces.

building tolerances			
position	designation	tolerance [mm]	symbol
A1	roof opening width = nominal size	± 12	-----x-----
A2	external dimensions = nominal size	± 12	
B1	roof opening length = nominal size	± 24	-----x-----
B2	external dimensions = nominal size	± 24	
C1	1st diagonal at 10m long	± 10	↖-----+-----↘
C2	2nd diagonal = 1st diagonal		
D1	head tilt = 90°		↖-----+-----↘
E1	flatness at 4m	max. 20	[-----wavy line-----]
E2	flatness at 2m	max. 10	

for dimensions or intermediate values that are not noted, see DIN 18202

**All dimensions in mm unless otherwise noted.**

In case of non-compliance with the above tolerances, functional disturbances such as glazing breakage, stress cracks, leaks and disturbing visual impairments cannot be excluded. Compliance with these tolerances does not necessarily prevent visual irregularities, such as those caused by unequal offset and joint dimensions as well as non-parallel or non-angular edges.